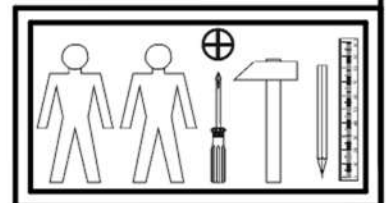
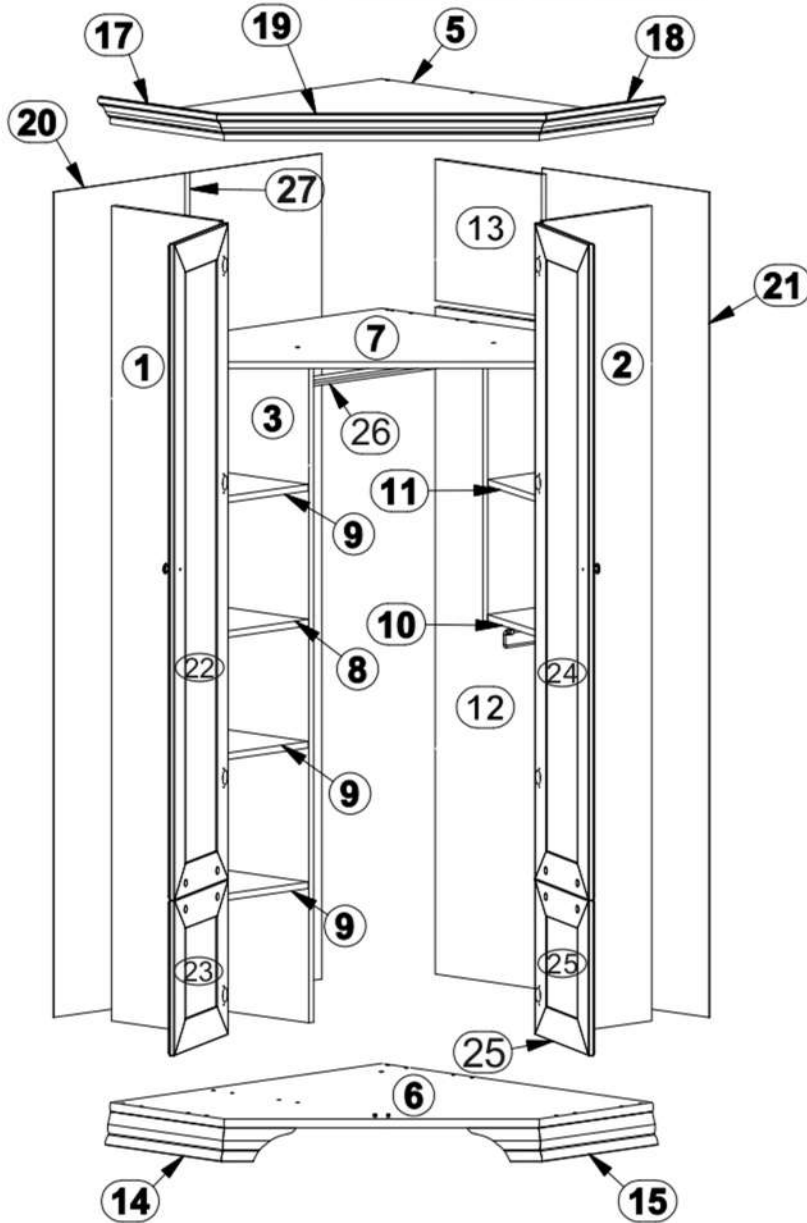
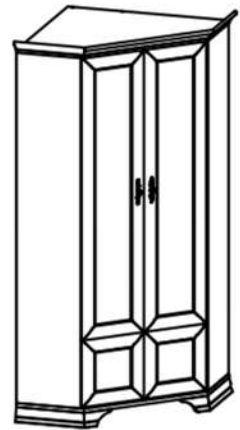


KENTAK

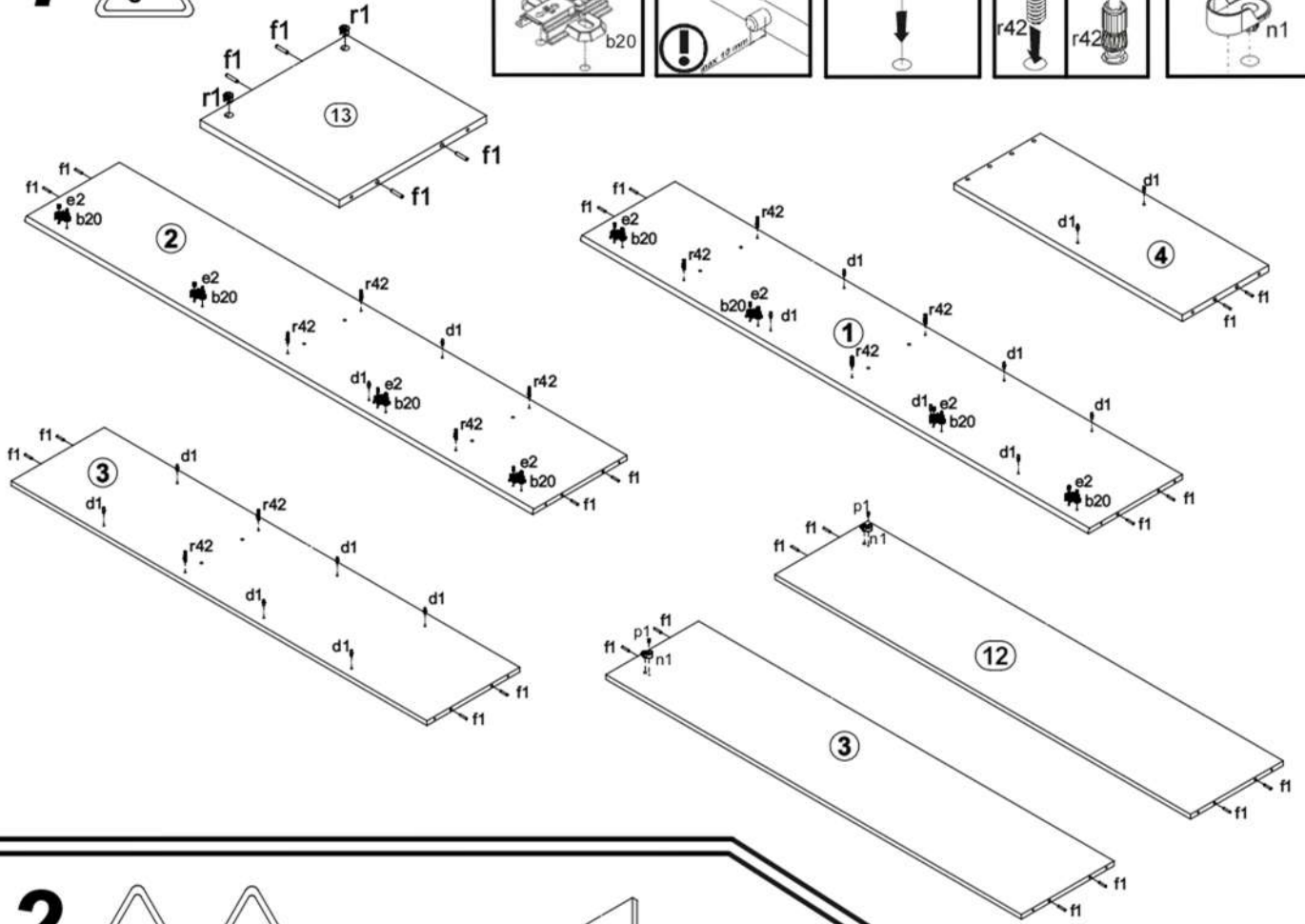
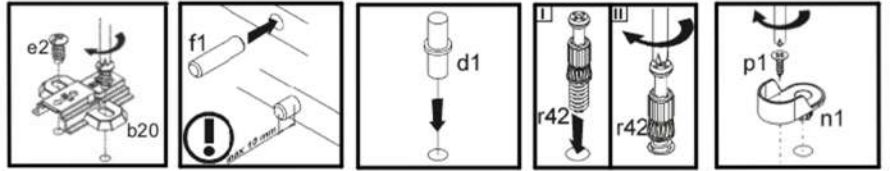
SZFN2D

A	B	C	D	A	B	C	D		
1	S320-164N	2077	370	1/6	14	S320-546	511	154	4/6
2	S320-166N	2077	370	1/6	15	S320-547	511	154	4/6
3	S320-165	1631	364	1/6	16	S320-575	80	38	3/6
4	S320-167	661	250	1/6	17	S320-1502	407	80	3/6
5	S320-256	930	930	2/6	18	S320-1503	407	80	3/6
6	S320-257	930	930	2/6	19	S320-594	798	80	3/6
7	S320-334	908	908	2/6	20	S320-938N	2103	458	6/6
8	S320-335	295	364	2/6	21	S320-939N	2103	572	6/6
9	S320-336	294	363	2/6	22	S320-0044N	1689	380	5/6
10	S320-337	295	364	2/6	23	S320-0043	380	380	5/6
11	S320-338	294	363	2/6	24	S320-0047N	1689	380	5/6
12	S320-168	1631	364	1/6	25	S320-0046	380	380	5/6
13	S320-169N	430	364	1/6	26	dr-573	573	30	1/6
					27	Lh-2071	1986	14	6/6

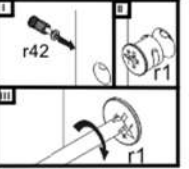
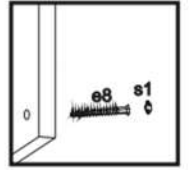
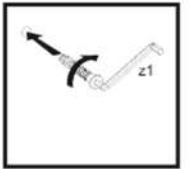
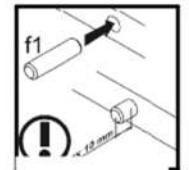
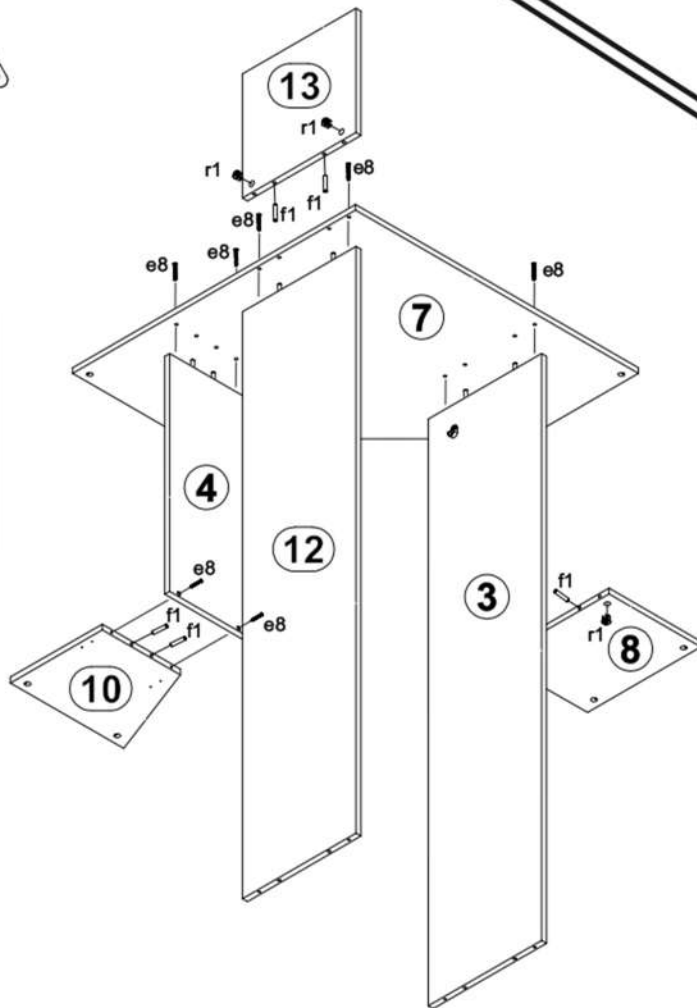
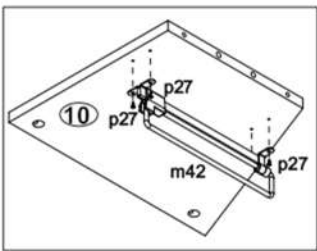


8x a49	8x b20	2x c35/1	2x c35/2	16x d1	23x e8	4x p27	2x p1	1шт. f35	1шт. p17
34x f1	2x j6	12x r42	130x l1	4x e26	16x p51	4x p46	6x p8	2x d4	2x n48
20x r1	18x s2	7x s1	1x z1	1x n26/1	11x p38	4x r10	4x f6	1x m42	2x n1

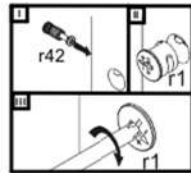
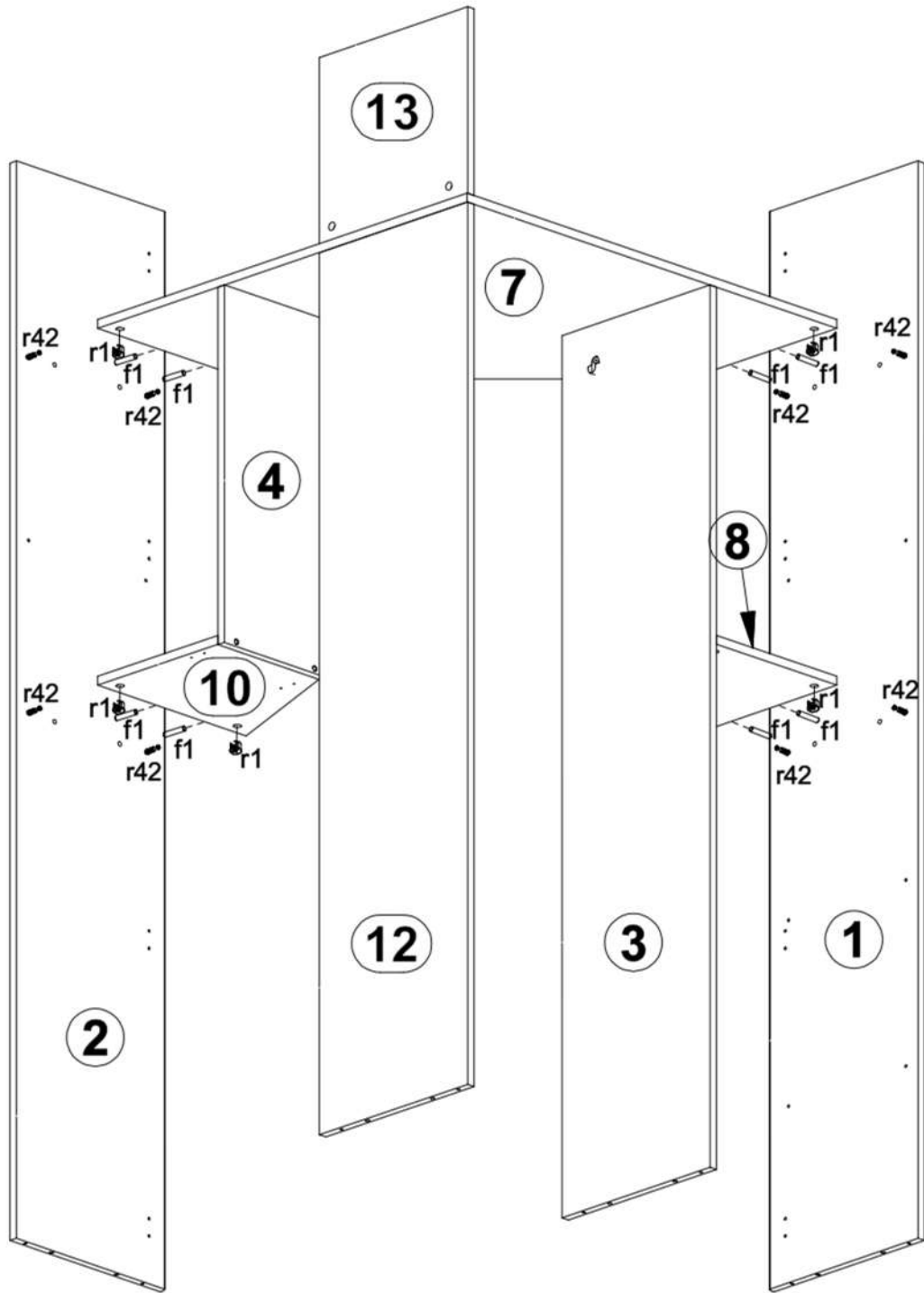
1



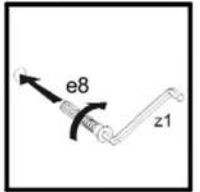
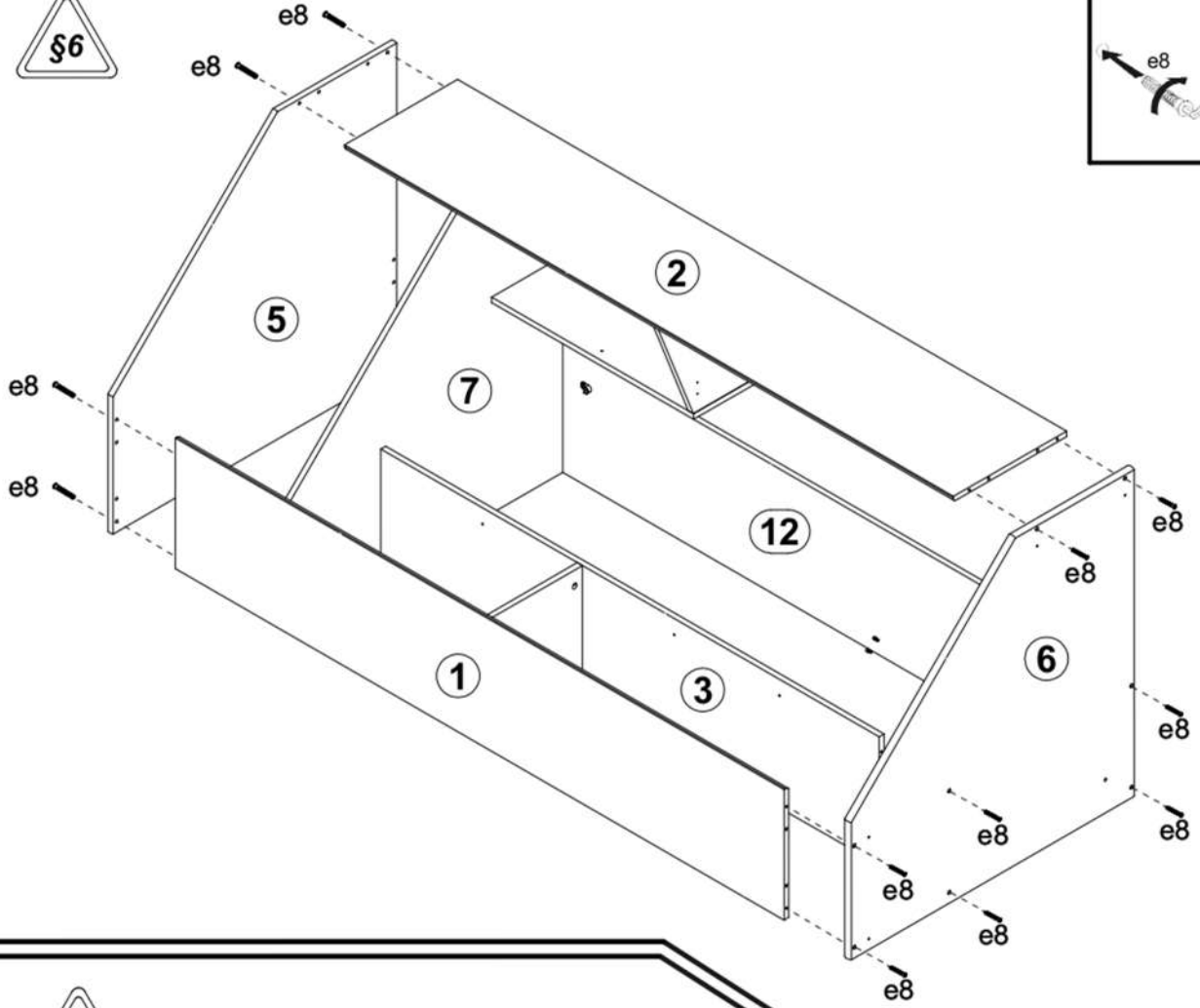
2



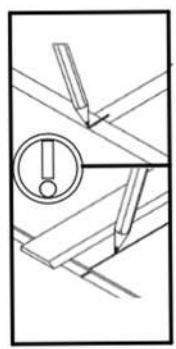
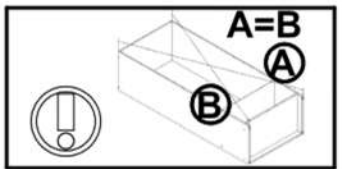
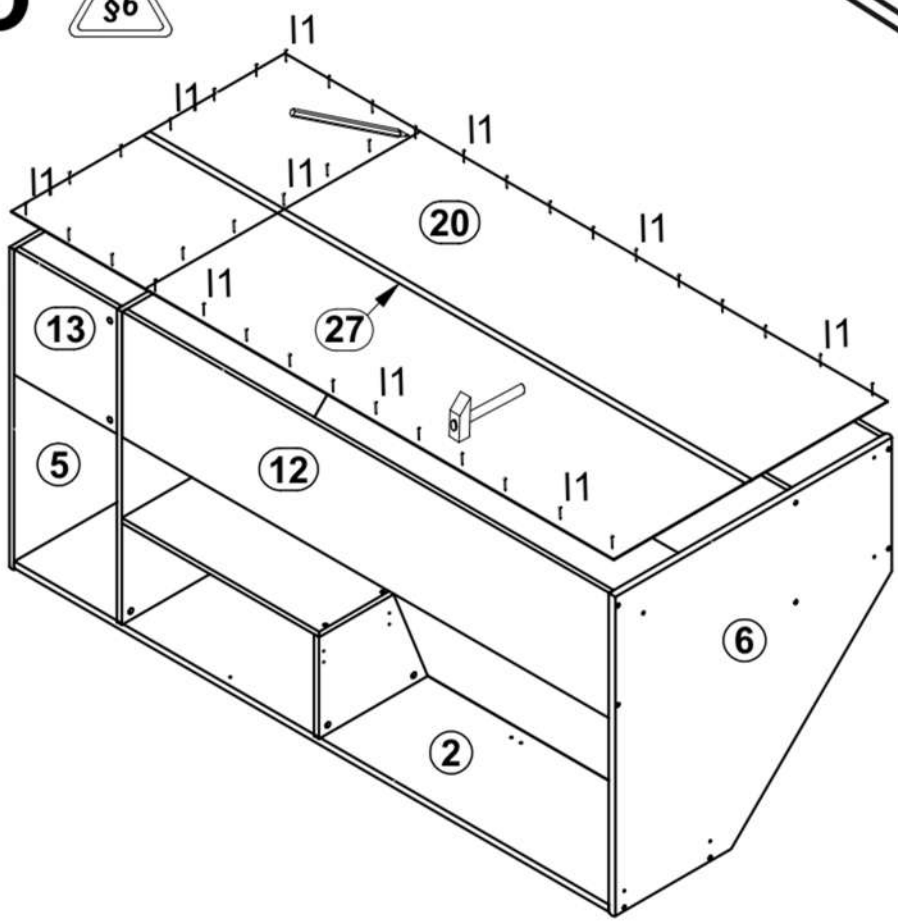
3



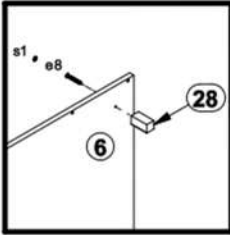
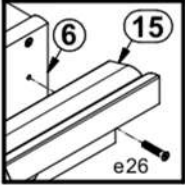
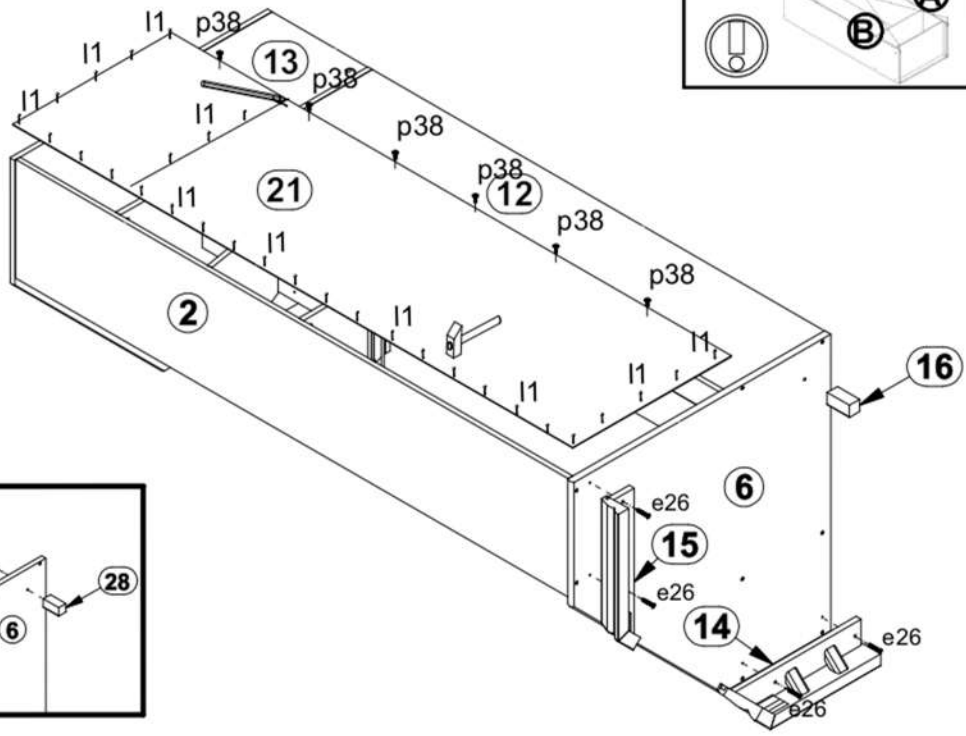
4



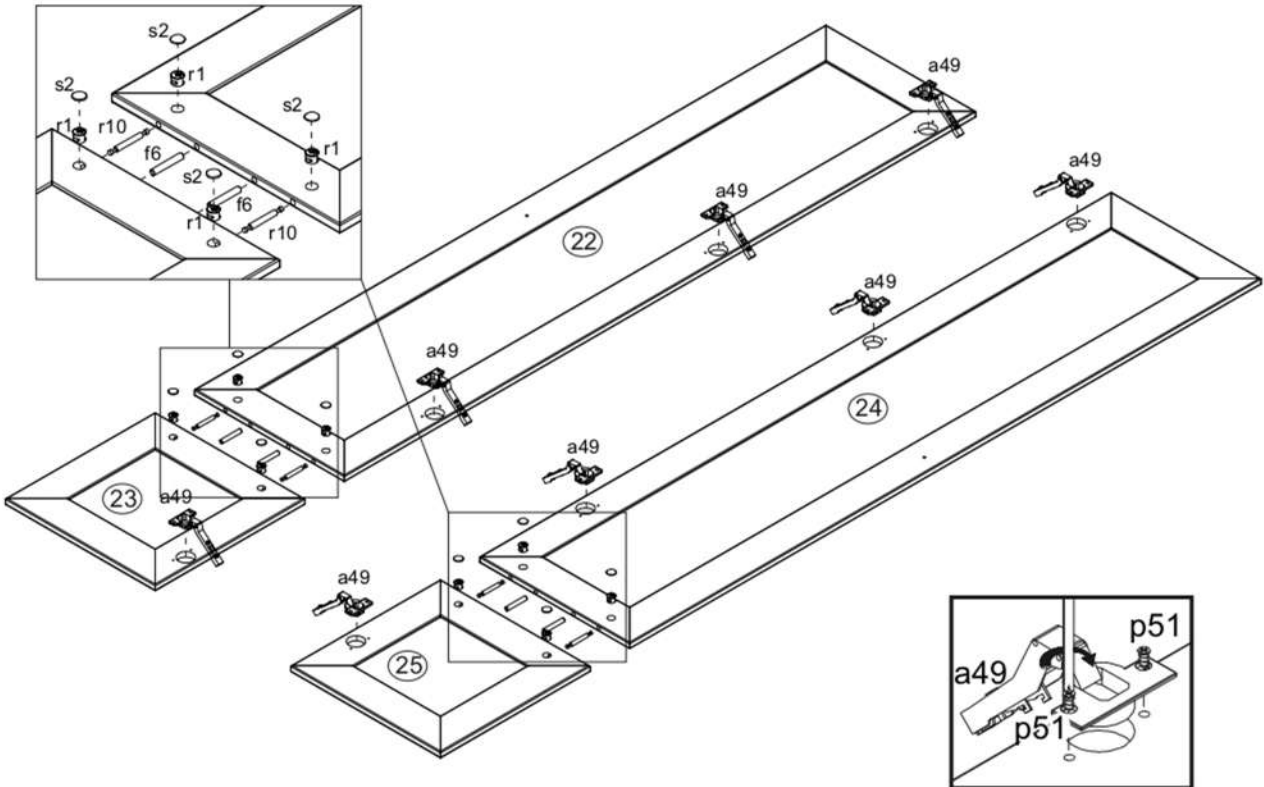
5



6



7



8

